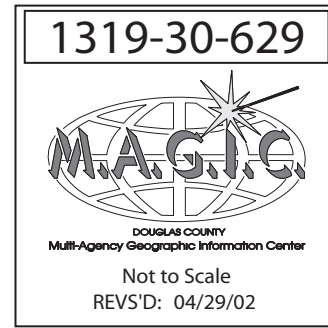
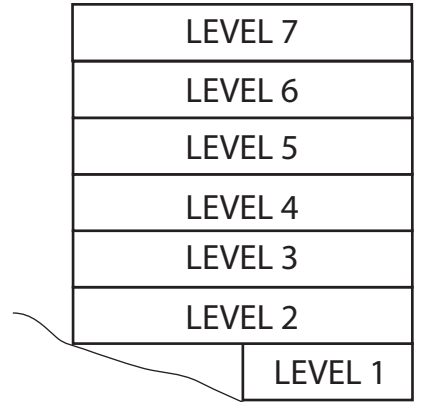
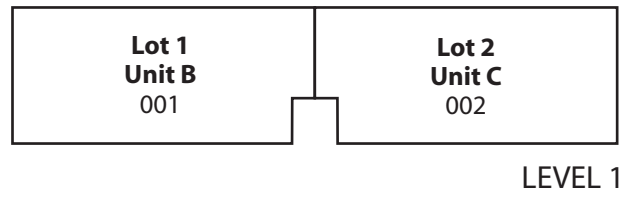
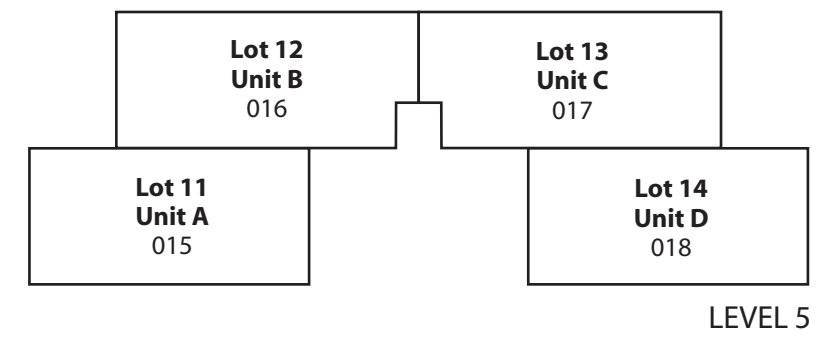
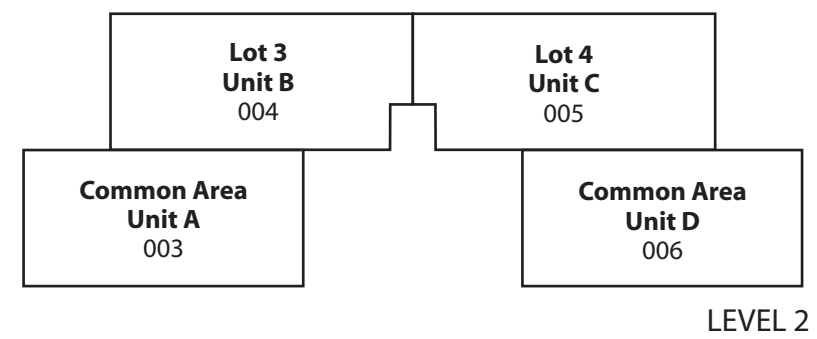
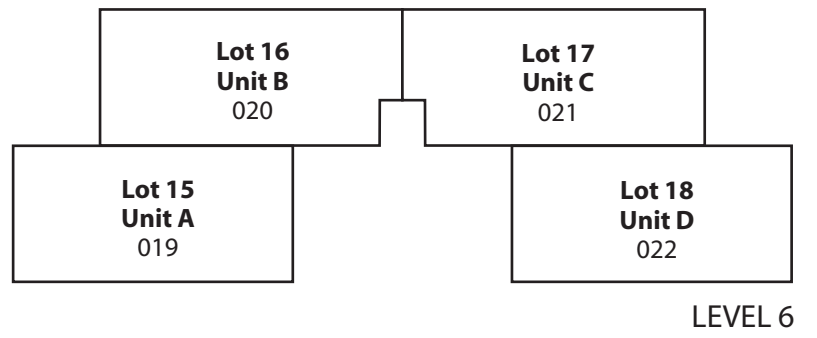
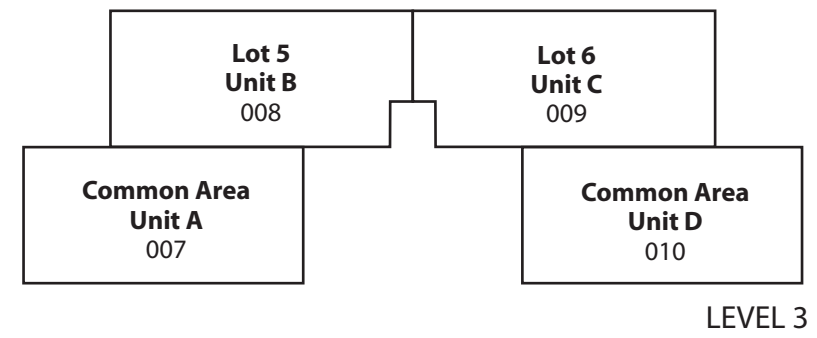
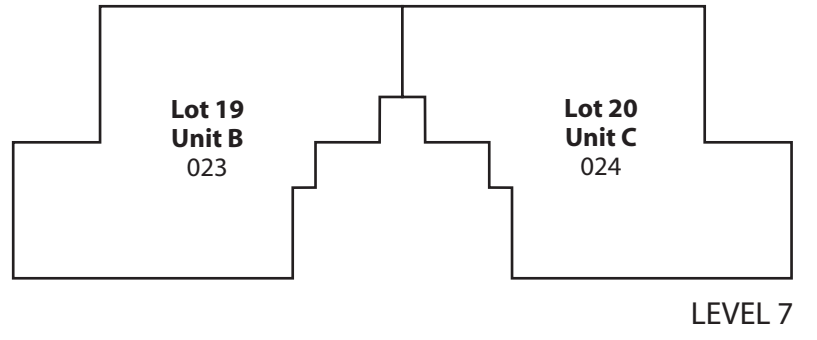
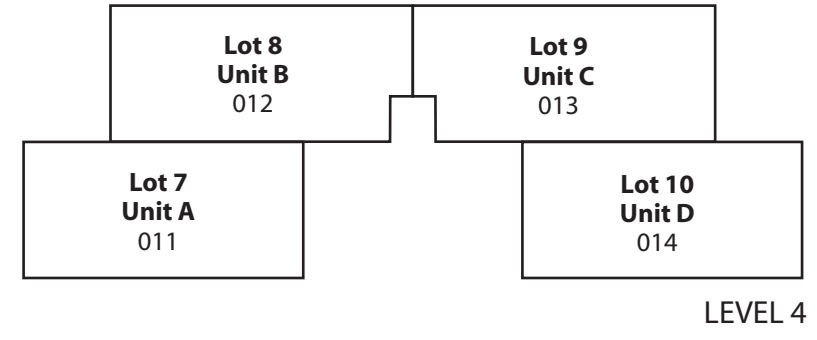


Map Legend		
	Building Footprint	001 Parcel Number
	Condo Unit	Unit 1 Parcel Lot Number



CONDO DETAIL



Kingsbury Towers
 Lot 58
 Tahoe Village
 Unit 1
 335 TRAMWAY DR

For Condo Dimensions
 Refer to Record Map
 Book 979, Page 2102-Doc. 37124

NOTE: This map is prepared for the use of Douglas County Assessor, for assessment and illustrative purposes only. It does not represent survey of the premises. No liability is assumed as to the sufficiency or accuracy of the data delineated hereon.